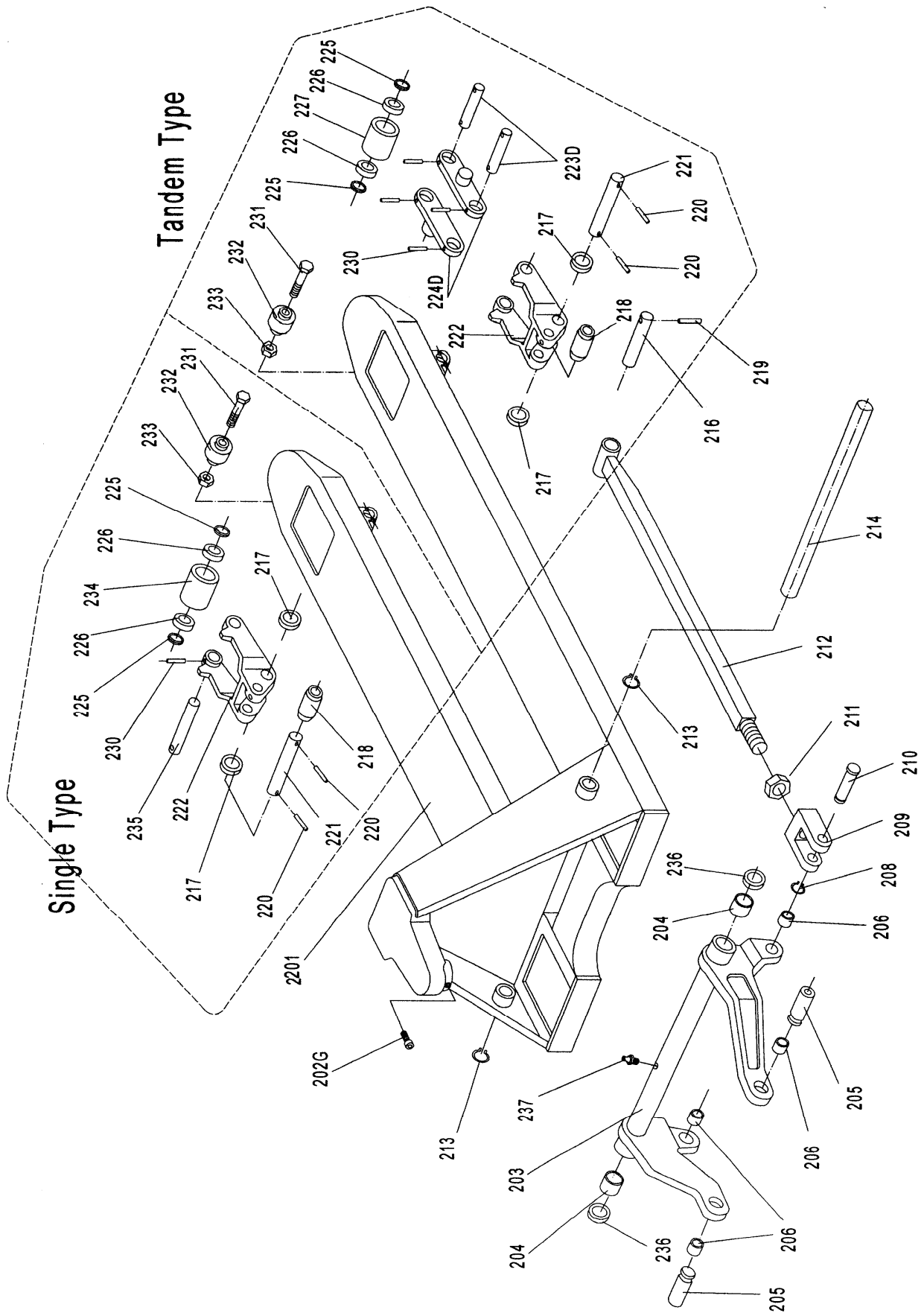


### LIST of DRAW-BAR

No.	Part No.	Description	Qty.	Remark
101	AC101	Release Rod	1	
102	AC102	Chain	1	
103	AC103	Adjusting Bolt	1	
104	AC104	Adjusting Nut	1	
105	AC105	Axle with Hole	1	
106	AC106	Elastic Pin	2	
107	AC107	Bushing	2	
108	AC108	Roller Pin	1	
109	AC109	Pressure Roller	1	
109A	AC109A	Bushing	1	
110	AC110	Draw-bar	1	For Type A
110B	AC110B	Draw-bar	1	For Type B
111	AC111	Stop Rubber	1	
112	AC112	Elastic Pin	1	
113	AC113	Blade Spring	1	
114	AC114	Spring	1	
115	AC115	Elastic Pin	1	
116	AC116	Elastic Pin	1	
117	AC117	Control Handle	1	
118	AC118	Roller	1	
119	AC119	Elastic Pin	1	
120	AC120			
121	AC121	Pull Board	1	
122	AC122	Pin	1	

For 3.0T or fork length more than 1500mm pallet truck

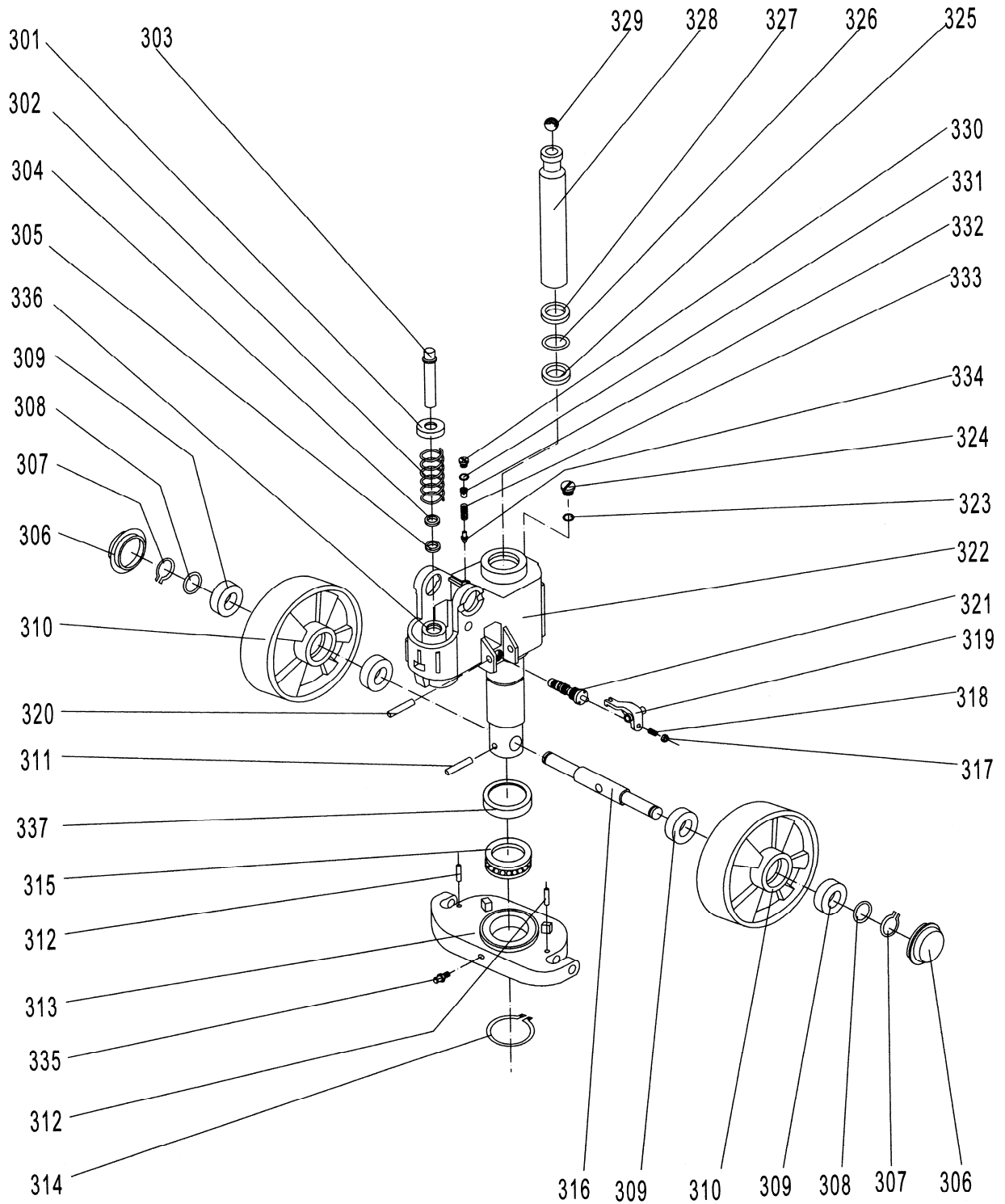


**LIST OF FORK FRAME: capacity 3.0T or fork length more than 1500mm**

No.	Part No.	Description	Qty.	Remark
201		Fork Frame	1	No spare part
202G	AC202G	Bolt	1	
203	AC203-520-3T	Rock – Arm: for 520mm width, 3T cap.	1	Fork frame width: 520mm, 3T cap.
	AC203-540-3T	Rock – Arm: for 540mm width, 3T cap.	1	Fork frame width: 540mm, 3T cap.
	AC203-685-3T	Rock – Arm: for 685mm width, 3T cap.	1	Fork frame width: 685mm, 3T cap.
	AC203-520	Rock – Arm: for 520mm width, cap. less 2500kgs.	1	Fork frame width: 520mm, cap. less 2500kgs.
	AC203-540	Rock – Arm: for 540mm width, cap. less 2500kgs.	1	Fork frame width: 540mm, cap. less 2500kgs.
	AC203-685	Rock – Arm: for 685mm width, cap. less 2500kgs.	1	Fork frame width: 685mm, cap. less 2500kgs.
204	AC204	Bushing	2	
205	AC205	Shaft	2	
206	AC206	Bushing	4	
208	AC208	Retaining Ring	2	
209	AC209	Joint	2	Cap. 3.0T
210	AC210	Pin	2	
211	AC211	Nut	2	Cap. 3.0T
212	AC212-150	Pushing rod	2	Fork length: 1500mm
	AC212-180	Pushing rod	2	Fork length:1800mm
	AC212-200	Pushing rod	2	Fork length:2000mm
	AC212-115-3T	Pushing rod	2	Fork length:1150mm, cap. 3T
213	AC213	Retaining Ring	2	
214	AC214	Shaft	1	
216	AC216	Shaft	2	
217	AC217	Intermediate Roller	4	
218	AC218	Extending Roller	2	
219	AC219	Elastic Pin	2	
220	AC220	Elastic Pin	4	
221	AC221	Shaft	2	
222	AC222	Frame of Roller	2	
223D*	AC223D	Shaft for roller	4	
224D*	AC224D	Linking plate	4	
225	AC225	Washer	8 or 4	
226	AC226	Bearing	8 or 4	
227*	AC227N	Loading Roller: Nylon wheel	4	Nylon wheel
	AC227P	Loading Roller: Polyurethane wheel	4	Polyurethane wheel
230	AC230D	Elastic Pin	8 or 2	
231	AC231	Bolt	2	
232	AC232	Enter Roller	2	
233	AC233	Locking Nut	2	
234#	AC234N	Loading Roller: Nylon wheel	2	Nylon wheel
	AC234P	Loading Roller: Polyurethane wheel	2	Polyurethane wheel
235#	AC235	Shaft for Roller	2	
236	AC236	Washer	2	
237	AC237	Grease Cup	1	

**NOTE: \*-- For double wheel; #-- For single wheel**

# pump unit



### capacity pump unit

No.	Part No.	Description	Qty.	Remark
301	AC301	Spring Cap	1	
302	AC302	Spring	1	
303	AC303	Pump Piston	1	
304	AC304	Dust Ring	1	
305	AC305	Seal	1	
306	AC306	Dust Cover	2	
307	AC307	Spring Washer	2	
308	AC308	Washer	2	
309	AC309	Bearing	4	
310	AC310N	Loading Wheel, Nylon	2	Nylon wheel
	AC310P	Loading Wheel, Polyurethane	2	Polyurethane wheel
	AC310R	Loading Wheel, Rubber	2	Rubber wheel
311	AC 311	Elastic Pin	1	
312	AC 312	Elastic Pin	2	
313	AC 313	Thrust Plate	1	
314	AC314	Retaining Ring	1	
315	AC315	Bearing	1	
316	AC316	Shaft of Loading Wheel	1	
317	AC317	Nut	1	
318	AC318	Screw	1	
319	AC319	Lever Plate	1	
320	AC320	Elastic Pin	1	
321	AC321	Valve Cartridge	1	
322	AC322	Pump Body	1	
323	AC323	Seal Washer	1	
324	AC324	Screw Plug	1	
325	AC325	Seal	1	
326	AC326	O – Ring	1	
327	AC327	Dust Ring	1	
328	AC328	Piston Rod	1	
329	AC329	Steel Ball	1	
330	AC330	Screw Plug	1	
331	AC331	O - Ring	1	
332	AC332	Bolt	1	
333	AC333	Spring	1	
334	AC334	Spindle of Safety Valve	1	
335	AC335	Grease Cup	1	
336	AC336	Cylinder	1	
337	AC337	Cover of Bearing	1	